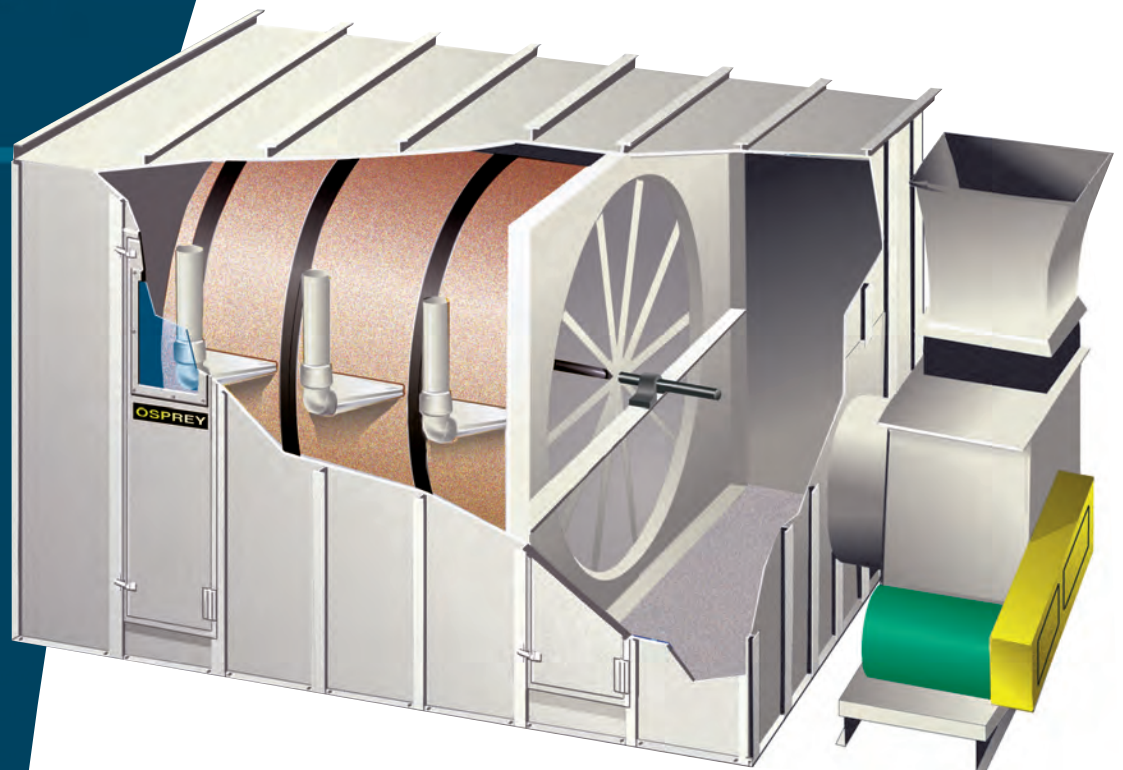




The Osprey Drum Filter System



PURPOSE

Filter particulate material from an airstream, maintain volume and static pressure, and return material to production.

APPLICATION

Filtration of fibrous material from production processes for soft disposable products, textiles, plastics, fiberglass, and pulp and paper products.

DRUM FILTER SYSTEM

Operation

The primary structure of the drum filter system is a rotating perforated drum inside an enclosure. A main system balancing fan pulls air and particulate into the enclosure. The clean air passes through the filter media covering the drum. Dust and particulate matter remain on the media, and are removed by an arrangement of suction nozzles as the drum rotates against them. The clean, filtered air passing through the drum is discharged to the atmosphere.

Features

- Predictable and constant air pressure for reliable continuous suction.
- Self-cleaning design returns valuable material to the forming process.
- High-efficiency filtration provides clean air to the environment.
- Drum diameters from 4' to 12'.
- Silicone Seal and Auto Lubrication.
- Fluorescent lights.
- Over-Pressure Warning and Monitoring Devices.
- Rotary Diverter Valve System.
- CE Mark.

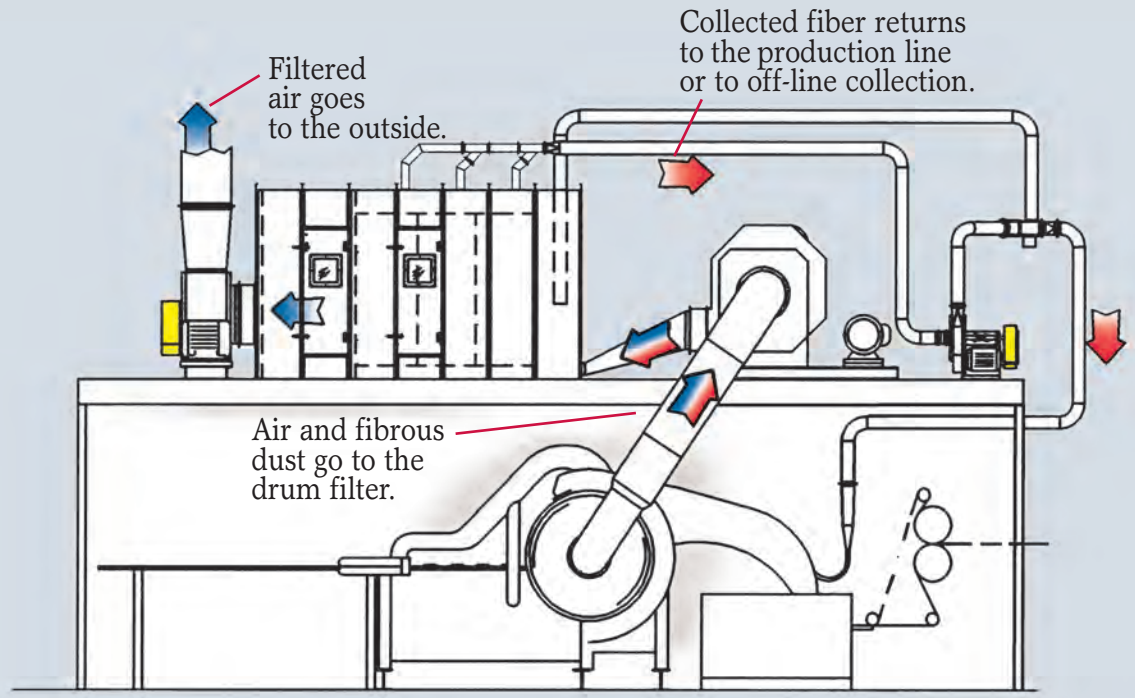
Options

- Final Filter and HEPA for 99.99% efficiency.
- Patented Phoenix™ design features.
- Factory-assembled QuickStart™.
- High-temperature design.
- Conversion kits for increased capacity.
- Off-Line Collection.
- PLC controls, HMI, RIO interface and Supervisory Options.
- Standard, split, and pneumatic manifolds available.

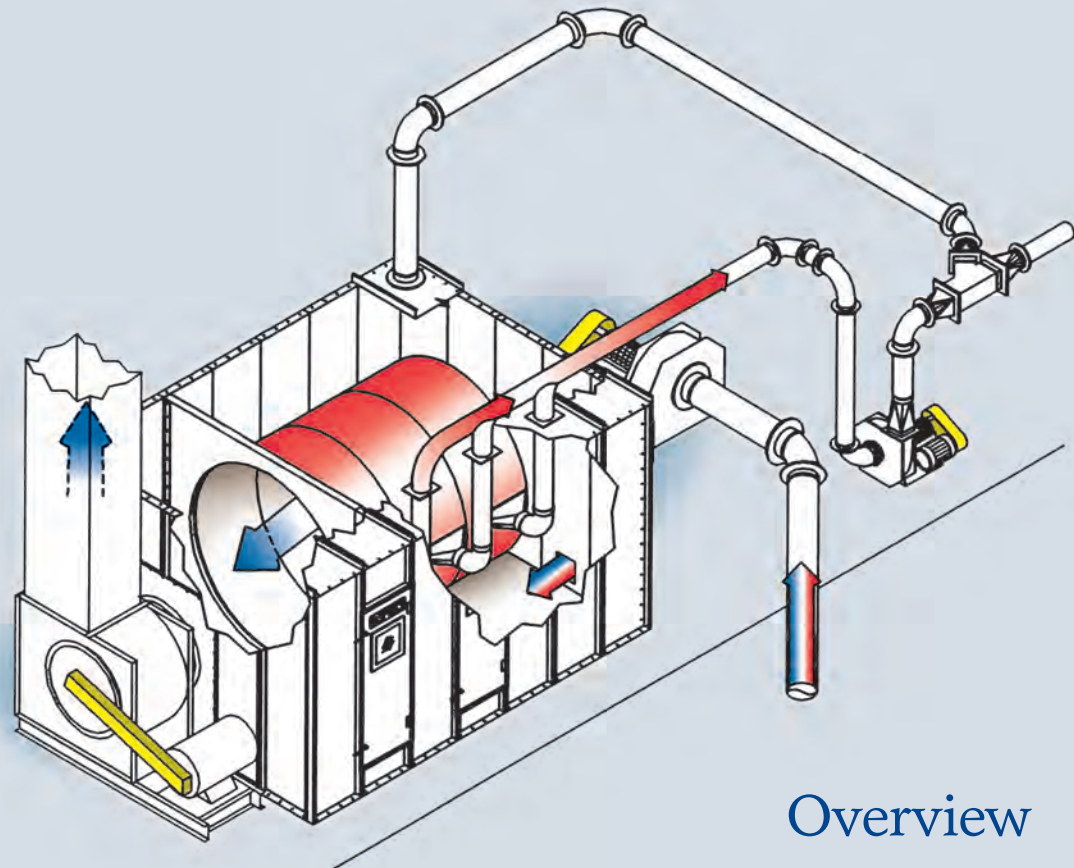
Efficiency: 99.5%.

Electrical Requirements: Operates at world voltages.

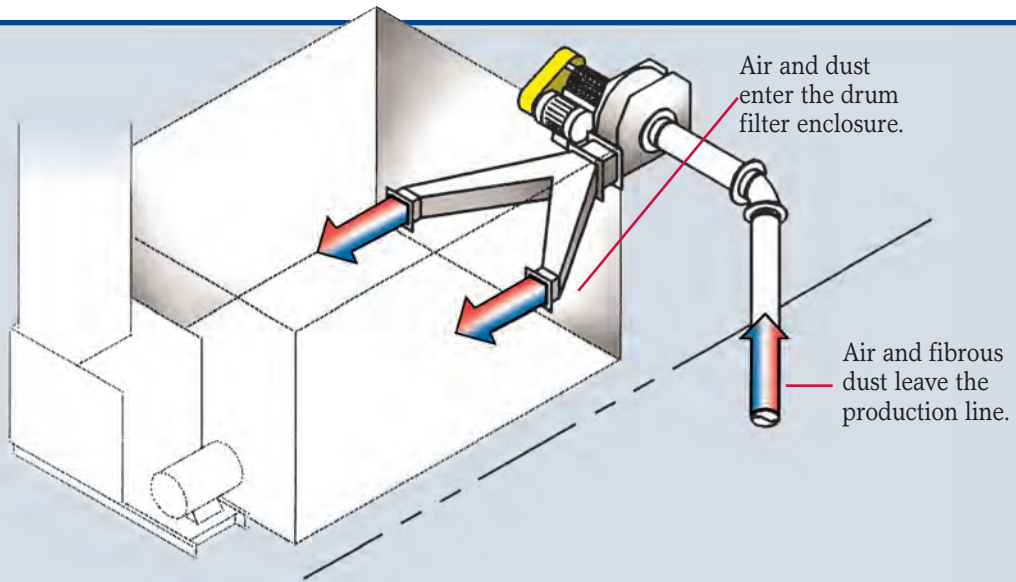
Operation of the DRUM FILTER SYSTEM



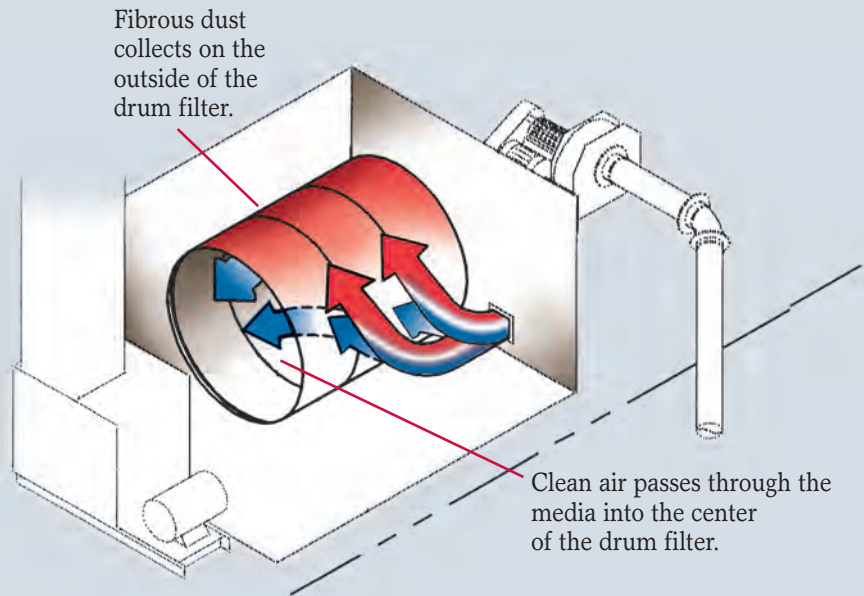
Overview



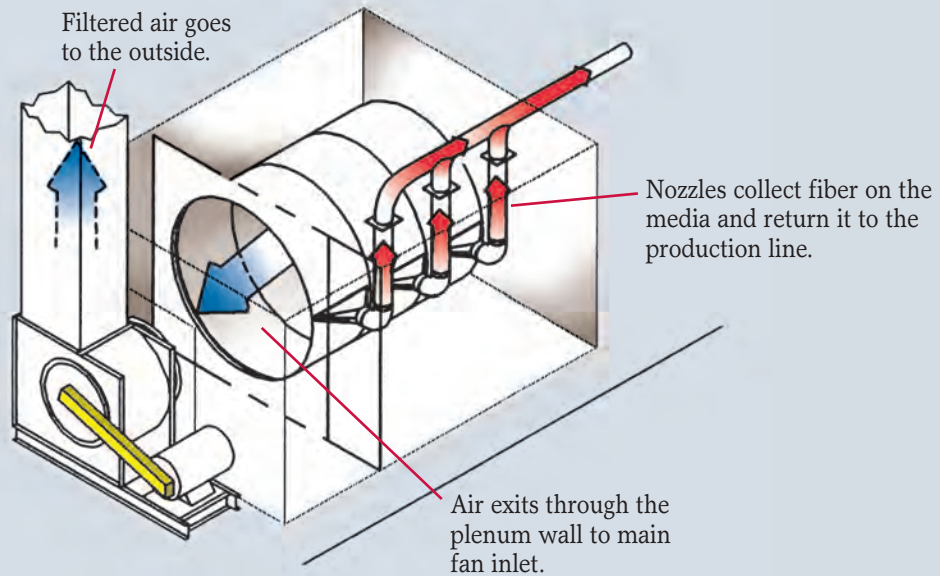
1.



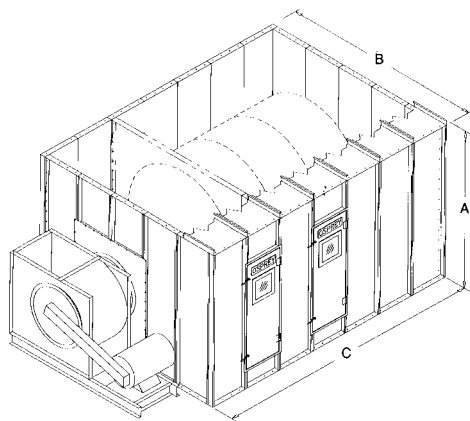
2.



3.

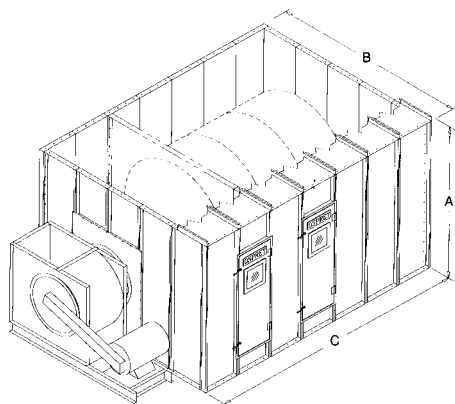


U.S. SPECIFICATIONS



| Model No. | DIMENSIONS (inches) | | | Media Area (ft ²) | AIR VOLUME: (cfm) | | |
|-----------|---------------------|-------|--------|-------------------------------|-------------------|---------|---------|
| | C | B | A | | 100 FPM | 150 FPM | 200 FPM |
| 4-1 | 112.5 | 96 | 76 1/8 | 26 | 2,600 | 3,900 | 5,200 |
| 4-2 | 135 | 96 | 76 1/8 | 52 | 5,200 | 7,800 | 10,400 |
| 4-3 | 157.5 | 96 | 76 1/8 | 78 | 7,800 | 11,700 | 15,600 |
| 4-4 | 202.5 | 96 | 76 1/8 | 104 | 10,400 | 15,600 | 20,800 |
| 4-5 | 225 | 96 | 76 1/8 | 130 | 13,000 | 19,500 | 26,000 |
| 5-1 | 112.5 | 96 | 81 3/4 | 32 | 3,200 | 4,800 | 6,400 |
| 5-2 | 135 | 96 | 81 3/4 | 64 | 6,400 | 9,600 | 12,800 |
| 5-3 | 157.5 | 96 | 81 3/4 | 96 | 9,600 | 14,400 | 19,200 |
| 5-4 | 202.5 | 96 | 81 3/4 | 128 | 12,800 | 19,200 | 25,600 |
| 5-5 | 225 | 96 | 81 3/4 | 160 | 16,000 | 24,000 | 32,000 |
| 5-6 | 247.5 | 96 | 81 3/4 | 192 | 19,200 | 28,800 | 38,400 |
| 6-1 | 112.5 | 118.5 | 93 | 39 | 3,900 | 5,850 | 7,800 |
| 6-2 | 135 | 118.5 | 93 | 78 | 7,800 | 11,700 | 15,600 |
| 6-3 | 157.5 | 118.5 | 93 | 117 | 11,700 | 17,550 | 23,400 |
| 6-4 | 202.5 | 118.5 | 93 | 156 | 15,600 | 23,400 | 31,200 |
| 6-5 | 225 | 118.5 | 93 | 195 | 19,500 | 29,250 | 39,000 |
| 6-6 | 247.5 | 118.5 | 93 | 234 | 23,400 | 35,100 | 46,800 |
| 7-1 | 112.5 | 118.5 | 104.25 | 45 | 4,500 | 6,750 | 9,000 |
| 7-2 | 135 | 118.5 | 104.25 | 91 | 9,100 | 13,650 | 18,200 |
| 7-3 | 157.5 | 118.5 | 104.25 | 137 | 13,700 | 20,550 | 27,400 |
| 7-4 | 202.5 | 118.5 | 104.25 | 183 | 18,300 | 27,450 | 36,600 |
| 7-5 | 225 | 118.5 | 104.25 | 229 | 22,900 | 34,350 | 45,800 |
| 7-6 | 247.5 | 118.5 | 104.25 | 275 | 27,500 | 41,250 | 55,000 |
| 7-7 | 270 | 118.5 | 104.25 | 321 | 32,100 | 48,150 | 64,200 |
| 8-1 | 112.5 | 141 | 115.5 | 52 | 5,200 | 7,800 | 10,400 |
| 8-2 | 135 | 141 | 115.5 | 104 | 10,400 | 15,600 | 20,800 |
| 8-3 | 157.5 | 141 | 115.5 | 156 | 15,600 | 23,400 | 31,200 |
| 8-4 | 202.5 | 141 | 115.5 | 208 | 20,800 | 31,200 | 41,600 |
| 8-5 | 225 | 141 | 115.5 | 260 | 26,000 | 39,000 | 52,000 |
| 8-6 | 247.5 | 141 | 115.5 | 312 | 31,200 | 46,800 | 62,400 |
| 8-7 | 270 | 141 | 115.5 | 364 | 36,400 | 54,600 | 72,800 |
| 8-8 | 315 | 141 | 115.5 | 416 | 41,600 | 62,400 | 83,200 |
| 9-1 | 112.5 | 141 | 126.75 | 59 | 5,900 | 8,850 | 11,800 |
| 9-2 | 135 | 141 | 126.75 | 118 | 11,800 | 17,700 | 23,600 |
| 9-3 | 157.5 | 141 | 126.75 | 177 | 17,700 | 26,550 | 35,400 |
| 9-4 | 202.5 | 141 | 126.75 | 236 | 23,600 | 35,400 | 47,200 |
| 9-5 | 225 | 141 | 126.75 | 295 | 29,500 | 44,250 | 59,000 |
| 9-6 | 247.5 | 141 | 126.75 | 354 | 35,400 | 53,100 | 70,800 |
| 9-7 | 270 | 141 | 126.75 | 413 | 41,300 | 61,950 | 82,600 |
| 9-8 | 315 | 141 | 126.75 | 472 | 47,200 | 70,800 | 94,400 |
| 10-1 | 112.5 | 163.5 | 138 | 65 | 6,500 | 9,750 | 13,000 |
| 10-2 | 135 | 163.5 | 138 | 130 | 13,000 | 19,500 | 26,000 |
| 10-3 | 157.5 | 163.5 | 138 | 195 | 19,500 | 29,250 | 39,000 |
| 10-4 | 202.5 | 163.5 | 138 | 260 | 26,000 | 39,000 | 52,000 |
| 10-5 | 225 | 163.5 | 138 | 325 | 32,500 | 48,750 | 65,000 |
| 10-6 | 247.5 | 163.5 | 138 | 390 | 39,000 | 58,500 | 78,000 |
| 10-7 | 270 | 163.5 | 138 | 445 | 45,500 | 68,250 | 91,000 |
| 10-8 | 315 | 163.5 | 138 | 520 | 52,000 | 78,000 | 104,000 |
| 11-1 | 112.5 | 163.5 | 149.25 | 72 | 7,200 | 10,800 | 14,400 |
| 11-2 | 135 | 163.5 | 149.25 | 144 | 14,400 | 21,600 | 28,800 |
| 11-3 | 157.5 | 163.5 | 149.25 | 216 | 21,600 | 32,400 | 43,200 |
| 11-4 | 202.5 | 163.5 | 149.25 | 288 | 28,800 | 43,200 | 57,600 |
| 11-5 | 225 | 163.5 | 149.25 | 360 | 36,000 | 54,000 | 72,000 |
| 11-6 | 247.5 | 163.5 | 149.25 | 432 | 43,200 | 64,800 | 86,400 |
| 11-7 | 270 | 163.5 | 149.25 | 504 | 50,400 | 75,600 | 100,800 |
| 11-8 | 315 | 163.5 | 149.25 | 576 | 57,600 | 86,400 | 115,200 |
| 12-1 | 135 | 186 | 160.5 | 78 | 7,800 | 11,700 | 15,600 |
| 12-2 | 157.5 | 186 | 160.5 | 156 | 15,600 | 23,400 | 31,200 |
| 12-3 | 202.5 | 186 | 160.5 | 234 | 23,400 | 35,100 | 46,800 |
| 12-4 | 225 | 186 | 160.5 | 312 | 31,200 | 46,800 | 62,400 |
| 12-5 | 247.5 | 186 | 160.5 | 390 | 39,000 | 58,500 | 78,000 |
| 12-6 | 270 | 186 | 160.5 | 468 | 46,800 | 70,200 | 93,600 |
| 12-7 | 292.5 | 186 | 160.5 | 546 | 54,600 | 81,900 | 109,200 |
| 12-8 | 337.5 | 186 | 160.5 | 624 | 62,400 | 93,600 | 124,800 |

METRIC SPECIFICATIONS



| Model No. | DIMENSIONS (mm) | | | Media Area (m ²) | AIR VOLUME: (m ³ /hr) | | |
|-----------|-----------------|-------|-------|------------------------------|----------------------------------|---------|---------|
| | C | B | A | | .51 m/s | .76 m/s | 1 m/s |
| 4-1 | 2,858 | 2,438 | 1,934 | 2.42 | 4,400 | 6,600 | 8,800 |
| 4-2 | 3,429 | 2,438 | 1,934 | 4.83 | 8,800 | 13,300 | 17,700 |
| 4-3 | 4,001 | 2,438 | 1,934 | 7.25 | 13,300 | 19,900 | 26,500 |
| 4-4 | 5,144 | 2,438 | 1,934 | 9.66 | 17,733 | 26,500 | 35,300 |
| 4-5 | 5,715 | 2,438 | 1,934 | 12.08 | 22,183 | 33,100 | 44,200 |
| 5-1 | 2,858 | 2,438 | 2,076 | 2.97 | 5,400 | 8,200 | 10,900 |
| 5-2 | 3,429 | 2,438 | 2,076 | 5.95 | 10,900 | 16,300 | 21,700 |
| 5-3 | 4,001 | 2,438 | 2,076 | 8.92 | 16,400 | 24,500 | 32,600 |
| 5-4 | 5,144 | 2,438 | 2,076 | 11.89 | 21,900 | 32,600 | 43,500 |
| 5-5 | 5,715 | 2,438 | 2,076 | 14.86 | 27,400 | 40,800 | 54,400 |
| 5-6 | 6,287 | 2,438 | 2,076 | 17.84 | 32,900 | 48,900 | 65,200 |
| 6-1 | 2,858 | 3,010 | 2,362 | 3.62 | 6,600 | 9,900 | 13,300 |
| 6-2 | 3,429 | 3,010 | 2,362 | 7.25 | 13,300 | 19,900 | 26,500 |
| 6-3 | 4,001 | 3,010 | 2,362 | 10.87 | 20,000 | 29,800 | 39,700 |
| 6-4 | 5,144 | 3,010 | 2,362 | 14.49 | 26,700 | 39,800 | 52,900 |
| 6-5 | 5,715 | 3,010 | 2,362 | 18.12 | 33,400 | 49,700 | 66,100 |
| 6-6 | 6,287 | 3,010 | 2,362 | 21.74 | 40,100 | 59,600 | 79,300 |
| 7-1 | 2,858 | 3,010 | 2,648 | 4.18 | 7,600 | 11,500 | 15,300 |
| 7-2 | 3,429 | 3,010 | 2,648 | 8.45 | 15,500 | 23,200 | 30,900 |
| 7-3 | 4,001 | 3,010 | 2,648 | 12.73 | 23,400 | 34,900 | 46,500 |
| 7-4 | 5,144 | 3,010 | 2,648 | 17.00 | 31,300 | 46,600 | 62,100 |
| 7-5 | 5,715 | 3,010 | 2,648 | 21.27 | 39,200 | 58,400 | 77,700 |
| 7-6 | 6,287 | 3,010 | 2,648 | 25.55 | 47,100 | 70,100 | 93,300 |
| 7-7 | 6,858 | 3,010 | 2,648 | 29.82 | 55,000 | 81,800 | 108,900 |
| 8-1 | 2,858 | 3,581 | 2,934 | 4.83 | 8,800 | 13,300 | 17,700 |
| 8-2 | 3,429 | 3,581 | 2,934 | 9.66 | 17,700 | 26,500 | 35,300 |
| 8-3 | 4,001 | 3,581 | 2,934 | 14.49 | 26,600 | 39,800 | 52,900 |
| 8-4 | 5,144 | 3,581 | 2,934 | 19.32 | 35,500 | 53,000 | 70,500 |
| 8-5 | 5,715 | 3,581 | 2,934 | 24.15 | 44,400 | 66,300 | 88,100 |
| 8-6 | 6,287 | 3,581 | 2,934 | 28.98 | 53,300 | 79,500 | 105,700 |
| 8-7 | 6,858 | 3,581 | 2,934 | 33.82 | 62,200 | 92,800 | 123,300 |
| 8-8 | 8,001 | 3,581 | 2,934 | 38.65 | 71,100 | 106,000 | 140,900 |
| 9-1 | 2,858 | 3,581 | 3,219 | 5.48 | 10,000 | 15,000 | 20,000 |
| 9-2 | 3,429 | 3,581 | 3,219 | 10.96 | 20,000 | 30,100 | 40,100 |
| 9-3 | 4,001 | 3,581 | 3,219 | 16.44 | 30,000 | 45,100 | 60,200 |
| 9-4 | 5,144 | 3,581 | 3,219 | 21.92 | 40,000 | 60,200 | 80,300 |
| 9-5 | 5,715 | 3,581 | 3,219 | 27.41 | 50,000 | 75,200 | 100,400 |
| 9-6 | 6,287 | 3,581 | 3,219 | 32.89 | 60,000 | 90,200 | 120,500 |
| 9-7 | 6,858 | 3,581 | 3,219 | 38.37 | 70,000 | 105,300 | 140,600 |
| 9-8 | 8,001 | 3,581 | 3,219 | 43.85 | 80,000 | 120,300 | 160,700 |
| 10-1 | 2,858 | 4,153 | 3,505 | 6.04 | 11,000 | 16,600 | 22,100 |
| 10-2 | 3,429 | 4,153 | 3,505 | 12.08 | 22,100 | 33,100 | 44,200 |
| 10-3 | 4,001 | 4,153 | 3,505 | 18.12 | 33,200 | 49,700 | 66,300 |
| 10-4 | 5,144 | 4,153 | 3,505 | 24.15 | 44,300 | 66,300 | 88,400 |
| 10-5 | 5,715 | 4,153 | 3,505 | 30.19 | 55,400 | 82,800 | 110,500 |
| 10-6 | 6,287 | 4,153 | 3,505 | 36.23 | 66,500 | 99,400 | 132,600 |
| 10-7 | 6,858 | 4,153 | 3,505 | 42.27 | 77,600 | 116,000 | 154,700 |
| 10-8 | 8,001 | 4,153 | 3,505 | 48.31 | 88,700 | 132,500 | 176,800 |
| 11-1 | 2,858 | 4,153 | 3,791 | 6.69 | 12,200 | 18,400 | 24,500 |
| 11-2 | 3,429 | 4,153 | 3,791 | 13.38 | 24,500 | 36,700 | 48,900 |
| 11-3 | 4,001 | 4,153 | 3,791 | 20.07 | 36,800 | 55,100 | 73,300 |
| 11-4 | 5,144 | 4,153 | 3,791 | 26.76 | 49,100 | 73,400 | 97,700 |
| 11-5 | 5,715 | 4,153 | 3,791 | 33.44 | 61,400 | 91,800 | 122,100 |
| 11-6 | 6,287 | 4,153 | 3,791 | 40.13 | 73,700 | 110,100 | 146,500 |
| 11-7 | 6,858 | 4,153 | 3,791 | 46.82 | 86,000 | 128,500 | 170,900 |
| 11-8 | 8,001 | 4,153 | 3,791 | 53.51 | 98,300 | 146,800 | 195,300 |
| 12-1 | 3,429 | 4,724 | 4,077 | 7.25 | 13,300 | 19,900 | 26,500 |
| 12-2 | 4,001 | 4,724 | 4,077 | 14.49 | 26,500 | 39,800 | 53,000 |
| 12-3 | 5,144 | 4,724 | 4,077 | 21.74 | 39,700 | 59,600 | 79,500 |
| 12-4 | 5,715 | 4,724 | 4,077 | 28.98 | 52,900 | 79,500 | 106,000 |
| 12-5 | 6,287 | 4,724 | 4,077 | 36.23 | 66,100 | 99,400 | 132,500 |
| 12-6 | 6,858 | 4,724 | 4,077 | 43.48 | 79,300 | 119,300 | 159,000 |
| 12-7 | 7,430 | 4,724 | 4,077 | 50.72 | 92,500 | 139,200 | 185,500 |
| 12-8 | 8,573 | 4,724 | 4,077 | 57.97 | 105,700 | 159,000 | 212,000 |



OSPREY CORPORATION

1835 Briarwood Road, NE Atlanta, Georgia 30329
 Tel.: (404) 321-7776 Fax: (404) 634-1401
 www.ospreyfilters.com
 e-mail: sales@ospreyfilters.com