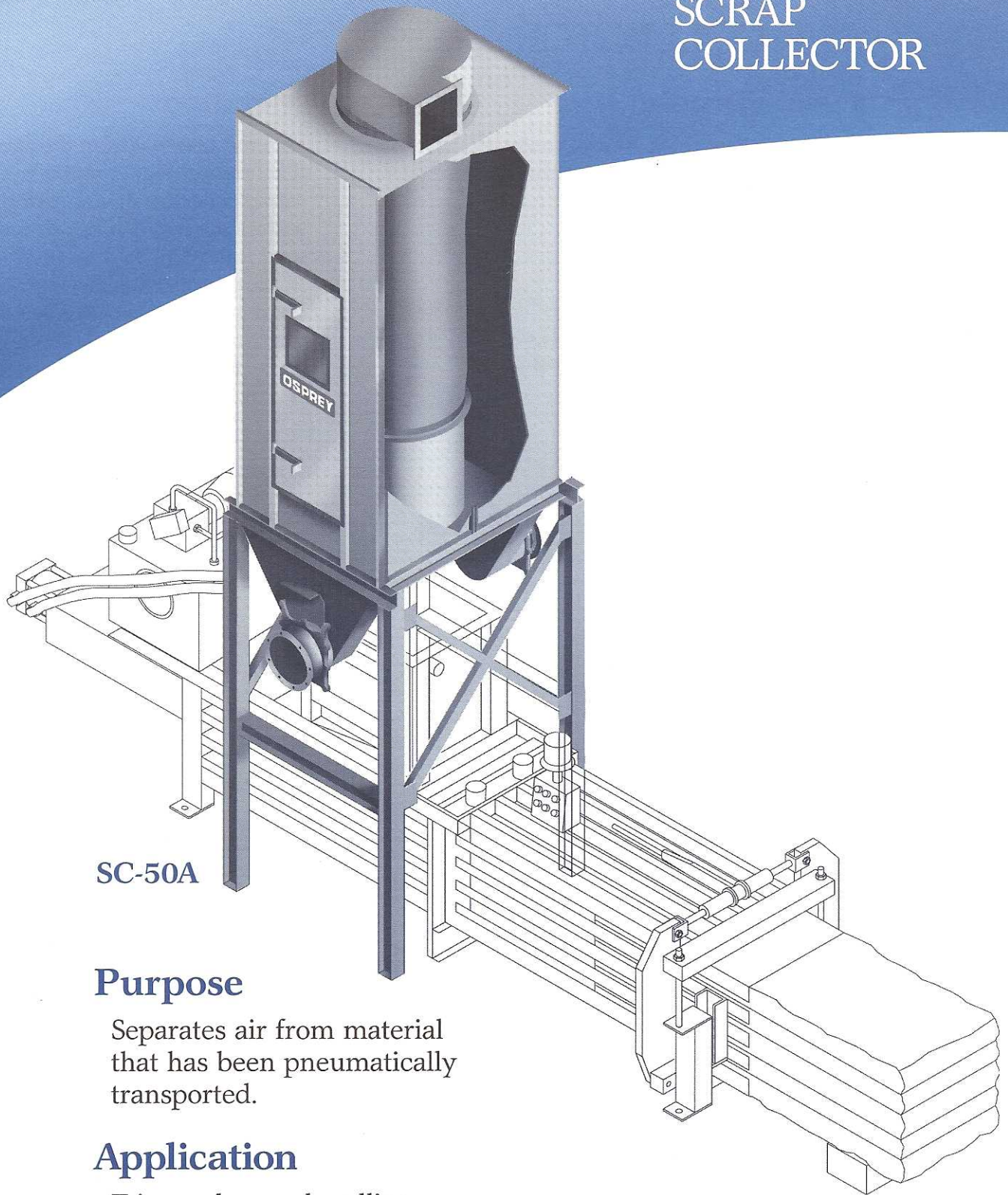


# SCRAP COLLECTOR



SC-50A

## Purpose

Separates air from material that has been pneumatically transported.

## Application

Trim and scrap handling processes for nonwovens, soft disposables, textiles, plastics and paper.



**OSPREY CORPORATION**

ENGINEERED AIR SYSTEM SOLUTIONS

1835 Briarwood Road, NE Atlanta, Georgia 30329  
Tel: (404) 321-7776 Fax: (404) 634-1401



# SCRAP COLLECTOR

## Purpose

Separates air and material that have been pneumatically transported.

## Application

Trim and scrap handling processes for nonwovens, soft disposables, textiles, plastics, and paper.

## Operation

Air and material from the production line enter the inlet at the top of the scrap collector. As the material enters the inside mesh sleeve, air and fine particles are drawn off through bottom exhaust ports. The neutral atmosphere created allows the scrap to fall freely to an external collector or baler below.

## Features

- Low maintenance
- Simple operation
- Versatile material applications
- Easy access to inner sleeve
- Exhaust dampers for air balancing
- Zero pressure at collector outlet
- Multiple sizes available

## Options

- Passive module to separate dust from trim material
- Reversing conveyor mounted beneath collector
- Full length perforated steel sleeve
- Exhaust port configurations

