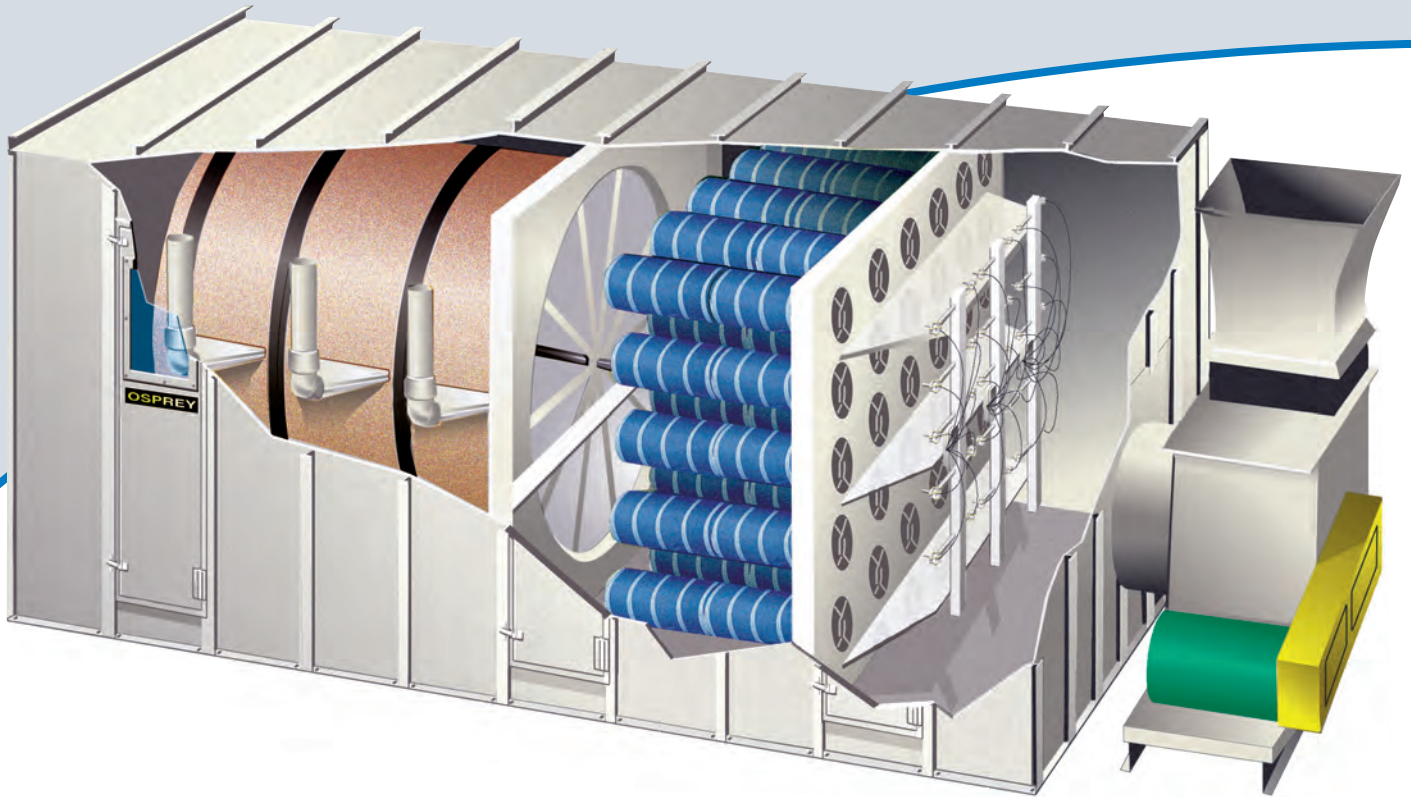


FINAL FILTER SYSTEM



Purpose

Filter fine particulate material from an airstream. The Osprey Final Filter is designed to enhance the filtering capacity of the Osprey Drum Filter System.

Application

Disposable hygienic production process, Plastic Reclaim/Regrind processes, Textile Dry Face Finishing processes.



OSPREY
CORPORATION

1835 Briarwood Road, NE Atlanta, Georgia 30329
Tel.: (404) 321-7776 Fax: (404) 634-1401

FINAL FILTER SYSTEM

Purpose

Filter fine particulate material from an airstream. The Osprey Final Filter is designed to enhance the filtering capacity of the Osprey Drum Filtering System.

Application

Disposable hygienic production process, Plastic Reclaim/Regrind processes, Textile Dry Face Finishing processes.

Features

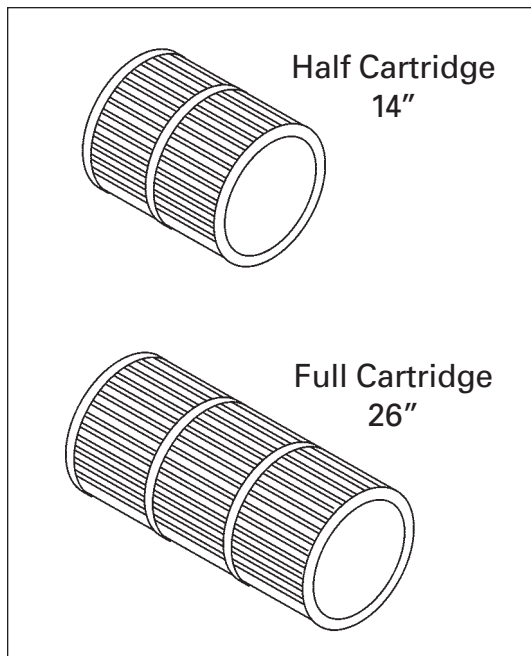
- Long lasting, fiber resistant cartridge design.
- Reduced emissions.
- Low maintenance.
- Removes up to 99.95% of particulate matter down to 1 micron.
- Clean air can be exhausted into manufacturing plant, atmosphere, or temperature control system.
- Easily installed with simple modification of existing Osprey Drum Filter System.
- Automatic pulse jet cleaning.

Options

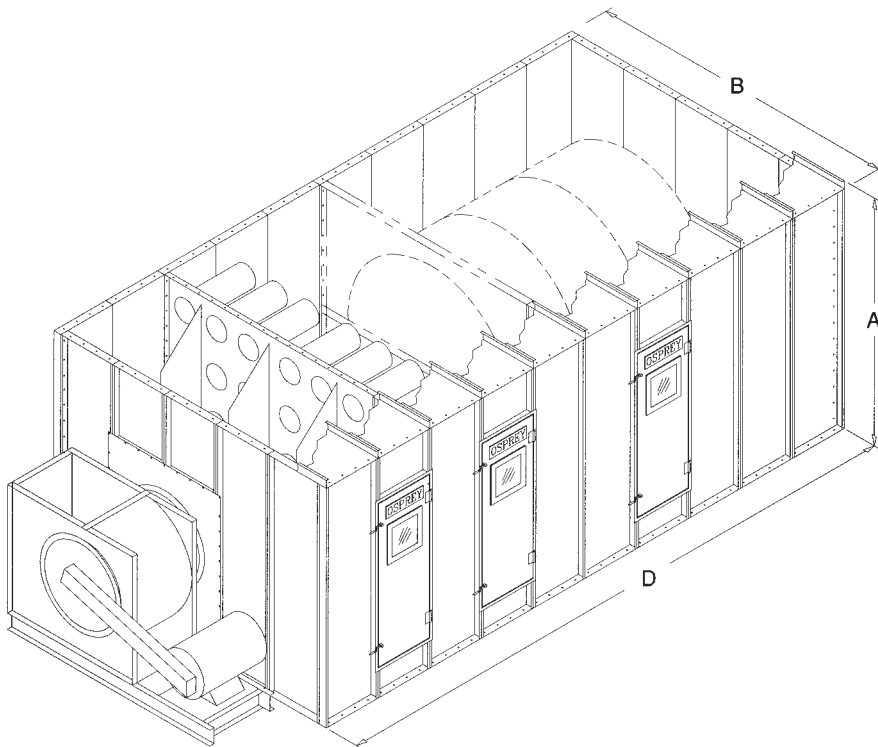
- Spare Parts.
- Field Service.

Air Requirements: Approximately 2.5 SCFM (3.06 m³/hr.)

Electrical Requirements: Operates at world voltages



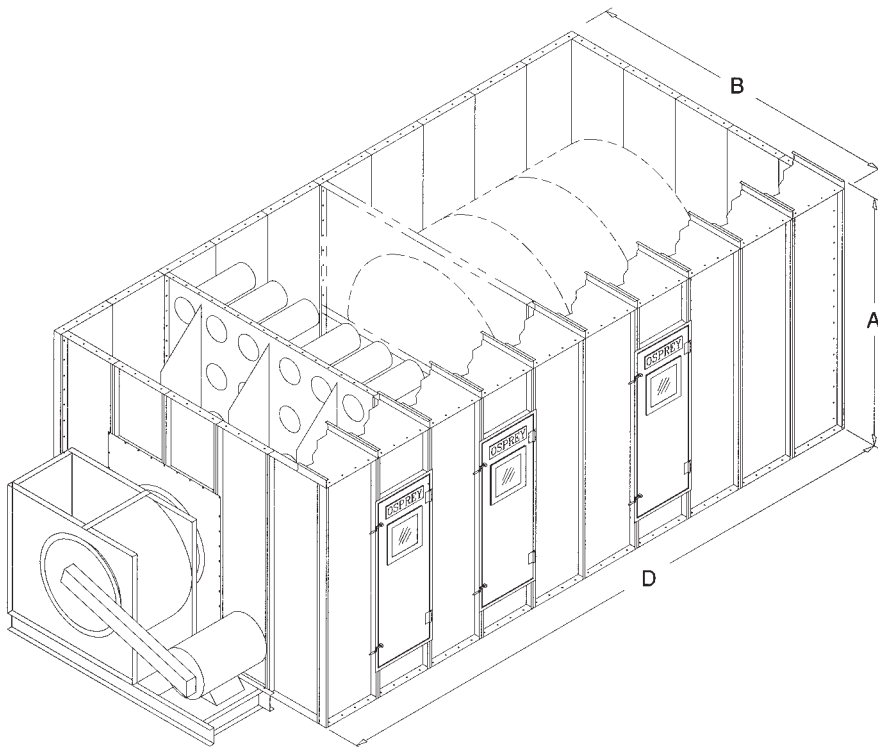
U.S. SPECIFICATIONS



Model No.	DIMENSIONS: (inches)			
	Single Cartridge*	Double Cartridge*	B	A
	D	D		
4-1	180.0	202.5	96	76 1/8
4-2	202.5	225.0	96	76 1/8
4-3	225.0	247.5	96	76 1/8
4-4	270.0	292.5	96	76 1/8
4-5	292.5	315.0	96	76 1/8
5-1	180.0	202.5	96	81 3/4
5-2	202.5	225.0	96	81 3/4
5-3	225.0	247.5	96	81 3/4
5-4	270.0	292.5	96	81 3/4
5-5	292.5	315.0	96	81 3/4
5-6	315.0	337.5	96	81 3/4
6-1	180.0	202.5	118.5	93
6-2	202.5	225.0	118.5	93
6-3	225.0	247.5	118.5	93
6-4	270.0	292.5	118.5	93
6-5	292.5	315.0	118.5	93
6-6	315.0	337.5	118.5	93
7-1	180.0	202.5	118.5	104.25
7-2	202.5	225.0	118.5	104.25
7-3	225.0	247.5	118.5	104.25
7-4	270.0	292.5	118.5	104.25
7-5	292.5	315.0	118.5	104.25
7-6	315.0	337.5	118.5	104.25
7-7	337.5	360.0	118.5	104.25
8-1	180.0	202.5	141	115.5
8-2	202.5	225.0	141	115.5
8-3	225.0	247.5	141	115.5
8-4	270.0	292.5	141	115.5
8-5	292.5	315.0	141	115.5
8-6	315.0	337.5	141	115.5
8-7	337.5	360.0	141	115.5
8-8	382.5	405.0	141	115.5
9-1	180.0	202.5	141	126.75
9-2	202.5	225.0	141	126.75
9-3	225.0	247.5	141	126.75
9-4	270.0	292.5	141	126.75
9-5	292.5	315.0	141	126.75
9-6	315.0	337.5	141	126.75
9-7	337.5	360.0	141	126.75
9-8	382.5	405.0	141	126.75
10-1	180.0	202.5	163.5	138
10-2	202.5	225.0	163.5	138
10-3	225.0	247.5	163.5	138
10-4	270.0	292.5	163.5	138
10-5	292.5	315.0	163.5	138
10-6	315.0	337.5	163.5	138
10-7	337.5	360.0	163.5	138
10-8	382.5	405.0	163.5	138
11-1	180.0	202.5	163.5	149.25
11-2	202.5	225.0	163.5	149.25
11-3	225.0	247.5	163.5	149.25
11-4	270.0	292.5	163.5	149.25
11-5	292.5	315.0	163.5	149.25
11-6	315.0	337.5	163.5	149.25
11-7	337.5	360.0	163.5	149.25
11-8	382.5	405.0	163.5	149.25
12-1	202.5	225.0	186	160.5
12-2	225.0	247.5	186	160.5
12-3	270.0	292.5	186	160.5
12-4	292.5	315.0	186	160.5
12-5	315.0	337.5	186	160.5
12-6	337.5	360.0	186	160.5
12-7	360.0	382.5	186	160.5
12-8	405.0	427.5	186	160.5

*Cartridge configuration depends on CFM (cubic feet per minute) required.

METRIC SPECIFICATIONS



Model No.	DIMENSIONS: (mm)			
	Single Cartridge*	Double Cartridge*	B	A
	D	D		
4-1	4,572	5,144	2,438	1,934
4-2	5,144	5,715	2,438	1,934
4-3	5,715	6,287	2,438	1,934
4-4	6,858	7,430	2,438	1,934
4-5	7,430	8,001	2,438	1,934
5-1	4,572	5,144	2,438	2,076
5-2	5,144	5,715	2,438	2,076
5-3	5,715	6,287	2,438	2,076
5-4	6,858	7,430	2,438	2,076
5-5	7,430	8,001	2,438	2,076
5-6	8,001	8,573	2,438	2,076
6-1	4,572	5,144	3,010	2,362
6-2	5,144	5,715	3,010	2,362
6-3	5,715	6,287	3,010	2,362
6-4	6,858	7,430	3,010	2,362
6-5	7,430	8,001	3,010	2,362
6-6	8,001	8,573	3,010	2,362
7-1	4,572	5,144	3,010	2,648
7-2	5,144	5,715	3,010	2,648
7-3	5,715	6,287	3,010	2,648
7-4	6,858	7,430	3,010	2,648
7-5	7,430	8,001	3,010	2,648
7-6	8,001	8,573	3,010	2,648
7-7	8,573	9,144	3,010	2,648
8-1	4,572	5,144	3,581	2,934
8-2	5,144	5,715	3,581	2,934
8-3	5,715	6,287	3,581	2,934
8-4	6,858	7,430	3,581	2,934
8-5	7,430	8,001	3,581	2,934
8-6	8,001	8,573	3,581	2,934
8-7	8,573	9,144	3,581	2,934
8-8	9,716	10,287	3,581	2,934
9-1	4,572	5,144	3,581	3,219
9-2	5,144	5,715	3,581	3,219
9-3	5,715	6,287	3,581	3,219
9-4	6,858	7,430	3,581	3,219
9-5	7,430	8,001	3,581	3,219
9-6	8,001	8,573	3,581	3,219
9-7	8,573	9,144	3,581	3,219
9-8	9,716	10,287	3,581	3,219
10-1	4,572	5,144	4,153	3,505
10-2	5,144	5,715	4,153	3,505
10-3	5,715	6,287	4,153	3,505
10-4	6,858	7,430	4,153	3,505
10-5	7,430	8,001	4,153	3,505
10-6	8,001	8,573	4,153	3,505
10-7	8,573	9,144	4,153	3,505
10-8	9,716	10,287	4,153	3,505
11-1	4,572	5,144	4,153	3,791
11-2	5,144	5,715	4,153	3,791
11-3	5,715	6,287	4,153	3,791
11-4	6,858	7,430	4,153	3,791
11-5	7,430	8,001	4,153	3,791
11-6	8,001	8,573	4,153	3,791
11-7	8,573	9,144	4,153	3,791
11-8	9,716	10,287	4,153	3,791
12-1	5,144	5,715	4,724	4,077
12-2	5,715	6,287	4,724	4,077
12-3	6,858	7,430	4,724	4,077
12-4	7,430	8,001	4,724	4,077
12-5	8,001	8,573	4,724	4,077
12-6	8,573	9,144	4,724	4,077
12-7	9,144	9,716	4,724	4,077
12-8	10,287	10,859	4,724	4,077

*Cartridge configuration depends on CFM (cubic feet per minute) required.